

# KOHLER® Faucets Rite-Temp™ bath and shower trim kit with push-button diverter and cross handle, 2.5 gpm Purist™ K-T14421-3

## Features

- Cross handles
- Push-button diverter
- 90° spout
- Completes Purist design solution with KOHLER fixtures and accessories
- Rite-Temp™ pressure-balancing technology maintains water temperature within +/- 3°F

## Material

- Premium material construction for durability and reliability
- KOHLER finishes resist corrosion and tarnishing

## Installation

- NPT connection



## Codes/Standards



ASME A112.18.1/CSA B125.1  
DOE - Energy Policy Act 1992

## KOHLER® Faucet Lifetime Limited Warranty

See website for detailed warranty information.

## Available Colors/Finishes

*Color tiles intended for reference only.*

Color	Code	Description
	CP	Polished Chrome
	SN	Vibrant™ Polished Nickel
	AF	Vibrant™ French Gold
	BN	Vibrant™ Brushed Nickel
	BV	Vibrant™ Brushed Bronze
	BL	Matte Black
	2MB	Vibrant™ Brushed Moderne Brass

1-800-4KOHLER (1-800-456-4537)

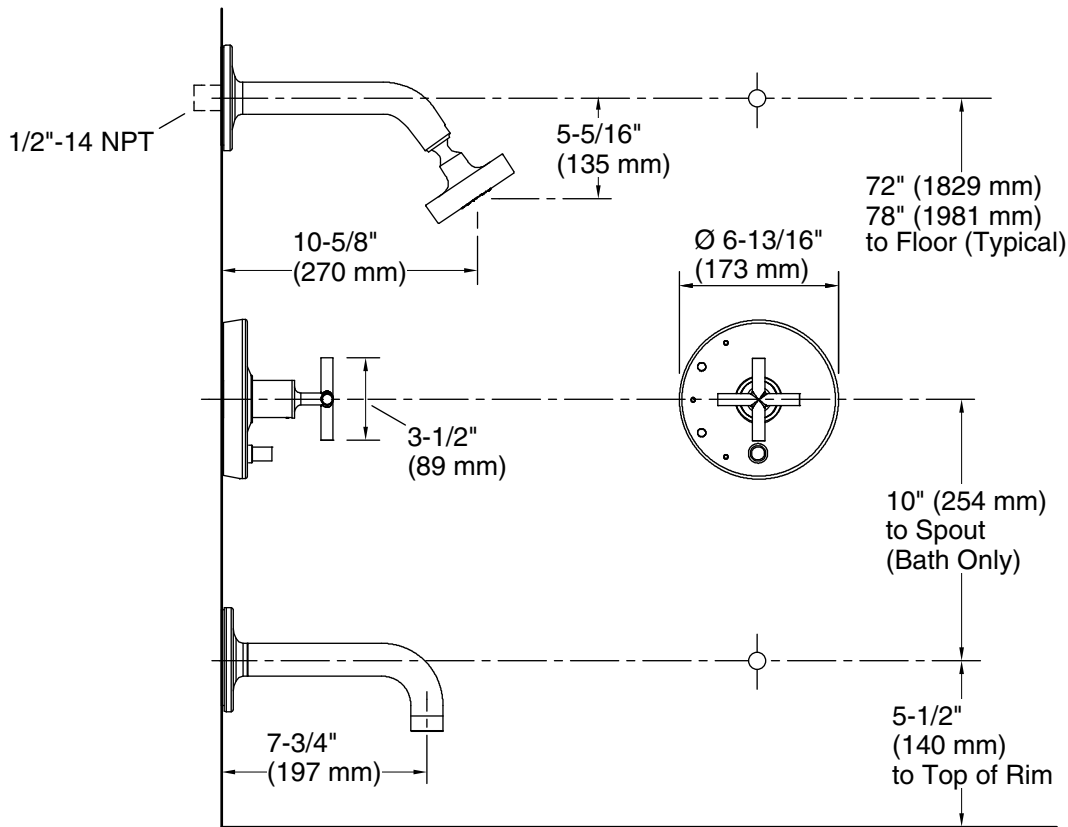
Kohler Co. reserves the right to make revisions without notice to product specifications.

For the most current Specification Sheet, go to [www.kohler.com](http://www.kohler.com).

4-2-2023 22:13 - US/CA

THE BOLD LOOK  
OF **KOHLER**®

**KOHLER** Faucets Rite-Temp™ bath and shower trim kit with push-button diverter and cross handle, 2.5 gpm  
**Purist™**  
**K-T14421-3**



**Technical Information**

All product dimensions are nominal.

Drain included: No

**Showerhead/Body Spray:**

Rated maximum flow: 2.5 gal/min (9.5 l/min)

Pressure: 80 psi (5.5 bar)

**Notes**

Install this product according to the installation guide.

Avoid cross-flow conditions. Do not install shut-off device on either valve outlet.

Cap the shower outlet if deck-mount spout, diverter, or handshower is connected to the spout outlet.